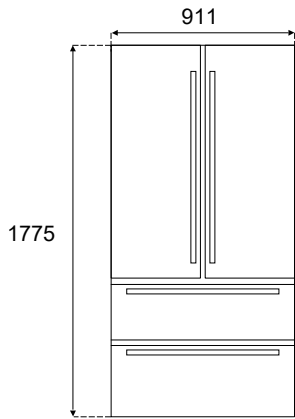
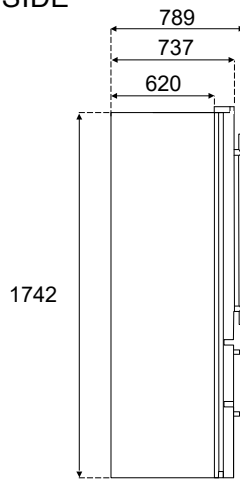


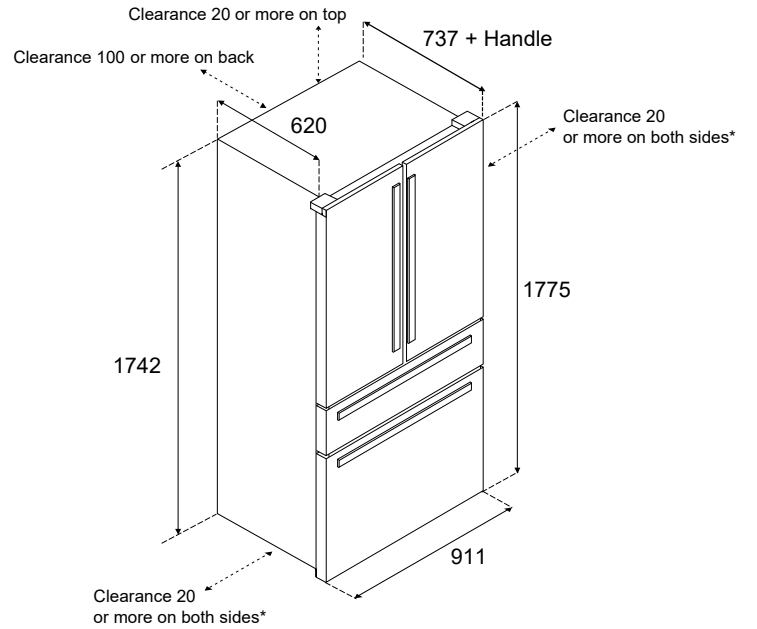
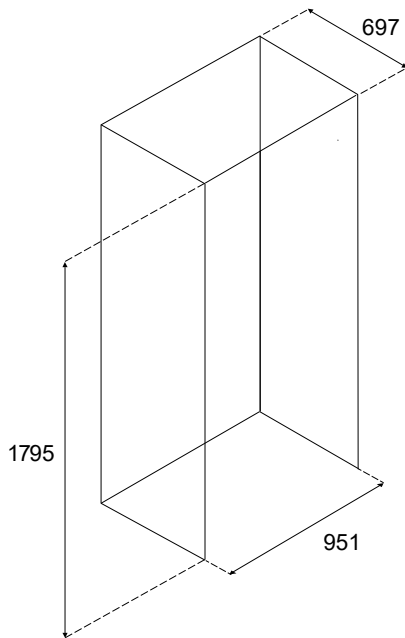
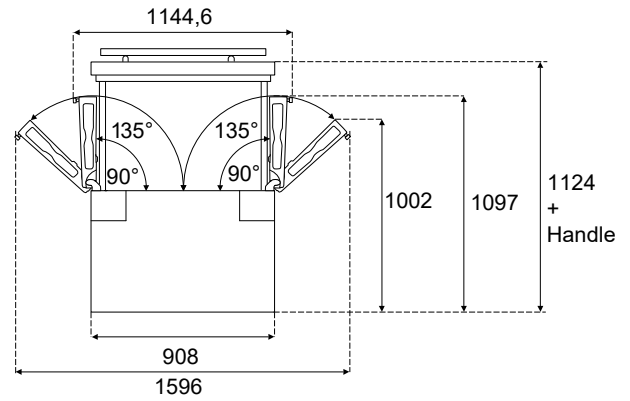
FRONT



SIDE



TOP



To ensure proper door opening, the refrigerator must protrude at least 140 mm + Handle from the side cabinets.

\* Added clearance for door opening swing might be needed based on adjacent cabinetry or wall structure.

BERTAZZONI REF904FFNXTC